

# AP9046

## MODEL



## Benefits

- Ideal for Two-Wire Transmitters
- Easy Plug-in Installation
- Regulated and Unregulated Outputs
- AC Line Powered
- Three Year Warranty



## Action Pak<sup>®</sup> DC Output Power Supply

Provides a Regulated 24VDC Output at up to 65mA

### APPLICATION

The AP9046 is useful in any two-wire transmission application to power the current loop. The 24VDC regulated output provides maximum loop drive capability without exceeding intrinsically safe voltage requirements. For installations where intrinsic safety is not a factor, the 40V unregulated output provides increased loop drive. The current rating of the AP9046 allows it to power up to three standard 4-20mA current loops simultaneously.

The AP9046 can also be used as a general purpose DC power supply for alarms and indicators, or any application requiring 24/40VDC at up to 65mA.

Note: 24 VDC only with CS option

### OPTION

- CS Canadian Standards Association Certification.
- U Urethane coating of internal circuitry for protection from corrosive atmospheres.

### MOUNTING

All Action Paks feature plug-in design for ease of service or system modification, and low MTTR (mean-time-to-repair). Mounting hardware options for the AP9046 Power Supply include a surface/track socket (M008), a surface/DIN rail socket (MD08), and a retaining spring (M801) for high vibration applications.

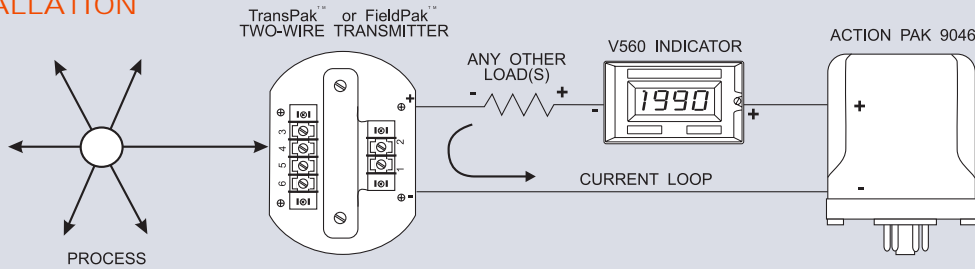


## SPECIFICATIONS

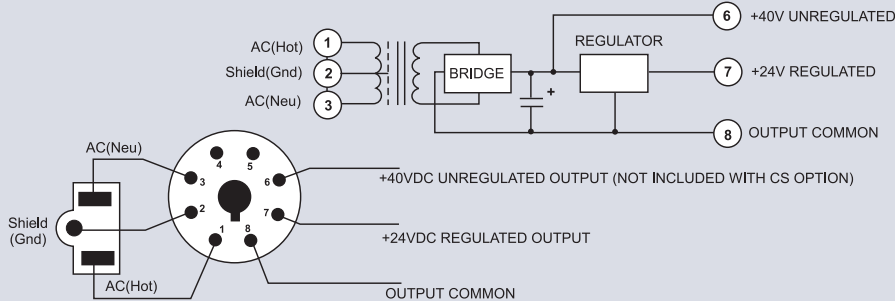
<b>Output Voltage</b>	24VDC $\pm 5\%$ and 40VDC unregulated
<b>Regulation (24VDC Output Only)</b>	Line: Within 1% (@ 120VAC10%) Load: Within 1% to rated current Ripple: Less than 15mV peak-to-peak
<b>Output Current</b>	65mA @ 24VDC, maximum (short-circuit protected)

<b>Operating Temperature Range (Ambient)</b>	0 to 60°C (32 to 140°F)
<b>Power</b>	120VAC $\pm 10\%$ , 50 to 400Hz, standard 3 Watts, typical; 5 Watts, maximum
<b>Weight</b>	0.52lbs
<b>Agency Approvals</b>	CSA certified per standard C22.2, No. 0-M1982 (File No. LR42272-8,9)

## TYPICAL INSTALLATION



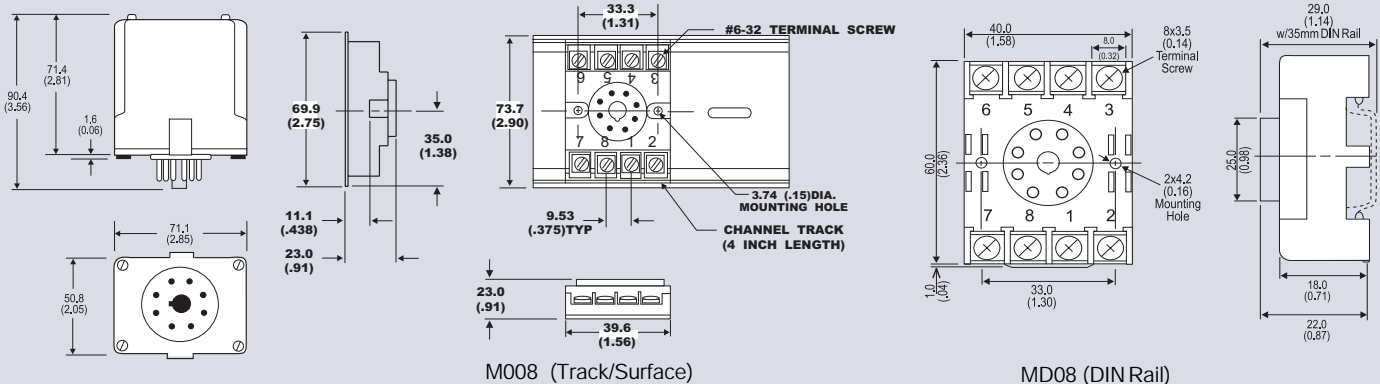
## FUNCTIONAL DIAGRAM/PIN CONNECTIONS



Note: 600 mA Loop Power Supply Available; See Model T609

## DIMENSIONS

Dimensions are in mm (inches)



## MODELS & ACCESSORIES

### Ordering Information

Specify:

1. Model: AP9046-101
2. Option CS, U (see text)
3. Line Power (if other than 120VAC): 240VAC  
(All power supplies are transformer-isolated from the internal circuitry)

### Other Action Power Supplies

H902	24V Power Supply (200mA)
G905	24V Power Supply (500mA)
T609	24V Power Supply (600mA)
H910	24V Power Supply (1.0A)
H915	24V Power Supply (2.3A)

### FACTORY ASSISTANCE

For additional information on calibration, operation and installation please contact Action's Technical Services Group. Call toll-free:

**800-767-5726**

**大连爱克新仪器有限公司**

地址: 辽宁省大连市中山区七七街23号海鹰大厦403室 邮编: 116001

电话: 0411-82650498 82597851 传真: 0411-82650478

网址: 爱克新产品 <http://www.actionio.com.cn>

e-mail: [sales@actionio.com.cn](mailto:sales@actionio.com.cn) [support@actionio.com.cn](mailto:support@actionio.com.cn)

**ACTION INSTRUMENTS**  
...the Industrial I/O Company

网址: 欧陆产品 <http://www.eurotherm.com.cn>

e-mail: [sales@eurotherm.com.cn](mailto:sales@eurotherm.com.cn) [support@eurotherm.com.cn](mailto:support@eurotherm.com.cn)