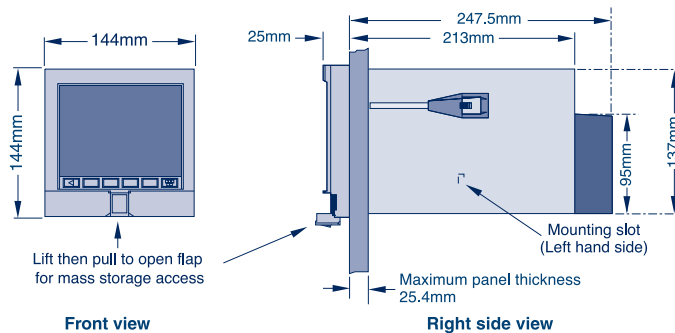


5100e 100mm Networked or Standalone Low Cost Graphic Data Management Unit



The 5100e is a standard six-channel data acquisition unit with freely configurable inputs and a touchscreen, STN color display. It comes as standard with a 3.5" floppy disk drive and Ethernet communications utilizing File Transfer Protocol (FTP). This unit is a powerful data acquisition and networking tool ideal for simple applications.



Options

Groups – allows inputs to be viewed and archived in a strategy that suits the process.

Bridge 5000 – available in two versions, **Lite** and **Full**. **Bridge Lite** provides the user with remote, live viewing of the data from a PC anywhere. **Full Bridge** gives total access the 5100e including viewing of data, operation and configuration.

Maths, Totalizers and Counters – up to 12 extra channels to further manage process data.

Timers – 6 timers to automatically sequence and trigger events.

Non-isolated Transmitter Power Supply – nominal 180mA supply for powering transmitters

Log Scales – scales and gridlines may be set to a Log Scale with scientific notation available

Features

- six freely configurable input channels
- STN color display
- touch screen interface
- high noise rejection and isolation
- 125ms parallel sampling
- Ethernet communications
- Modbus TCP
- client and server File Transfer Protocol as standard
- time sync. using Simple Network Time Protocol (SNTP)
- data archiving over Ethernet, or to 3.5" disk
- Review software as standard
- 3Mbyte internal Flash memory for storage of process data
- 12 configurable, event driven messages

Specifications

Archiving:

3.5" Floppy Disk or via Ethernet

Input Types:

dc V, dc mV, dc mA, contact
 Thermocouple: B, C, D, E, G2, J, K, L, N, R, S, T, U, Ni/NiMo, Platinel, RTD (2/3-wire), PT100, PT100A, PT1000, Ni100, Ni120, Ni1000, JPT100, Cu10, Cu53
 4 configurable user linearizations.

Max Power Consumption:

60VA

Temperature Limits:

5-40°C operational

Humidity Limits:

20%-80% RH non-condensing

Literature:

HA027125 5000 Series Brochure

HA027852 5000 Series Specification Sheet



Ordering codes

5100e	1	2	3	4	5	6	7
-------	---	---	---	---	---	---	---

1 Number of Channels	3 Ethernet/Relay	4 Mounting Options	5 Case and Door Color	6 Customer Label Set
6 6 channels	ENET Ethernet/Relay	PANELMT Panel mounting	GRN Eurotherm green GRY Grey BLK Black RAL RAL7032	USA Eurotherm USA
2 Power Supply				7 Non Standard
VH 90-264Vac, 45-65Hz VL 20-42Vac RMS, 20-54Vdc				XXXXXX Non standard option

8	9	10	11	12	13	14	15	16	17
N O N E									

9 24V Non-isolated Trans Power Supply	10 Qty of Shunts	12 Qty of 100:1 Attenuators	14 Maths, Totalizers & Counters	16 Totalizers
NONE None 1NTP 1 Non-isolated TPS	0 Qty of shunts (0-6)	0 Qty of attenuators (0-6)	MTC00 None MTC12 12 Channel maths, totalizers & counters	00 No of Totalizers Ch (0-12) (note 2)
11 Shunt Value		13 Calibration Certificate	15 Maths	17 Counters
NOS No shunts 100 100 ohm shunts 250 250 ohm shunts		NOCAL None 06CAL 6 Ch calibration certificate	00 No of Maths Ch (0-12) (note 2)	00 No of Counters Ch (0-12) (note 2)

18	19	20	21	22	23
----	----	----	----	----	----

18 Groups	20 Bridge	21 Log Scales	23 Review
1GROUP 1 Group 2GROUP 2 Groups	NONE None LITE Viewing bridge FULL Full operation/ configuration bridge	NONE None LOGS Log scales	RLITE Review Lite (default) RFULL Review Full
19 Timers	22 Fixed Field		
NOTIMER None 06TIMER Timers (6)	NONE None		

NOTES:

1. Non-isolated Transmitter PS is not available with VL option or selected Portable versions.
2. Total number of Maths, Totalizers and Counters must equal number of selected channels (Field 14).

Example ordering code

5100e - 6 - VH - ENET - PANELMT - GRN - UK1 - XXXXXX -
NONE - NONE - 01 - 100 - 00 - NOCAL - MTC00 - 00 - 00 - 00 -
1GROUP - NOTIMER - LITE - NONE

大连爱克新仪器有限公司

www.actionio.com.cn

辽宁省大连市中山区七七街23号海鹰大厦403室

电话:0411-82650498 传真:0411-82650478

Email: Sales@actionio.com.cn Support@actionio.com.cn


ACTION INSTRUMENTS
...the Industrial I/O Company